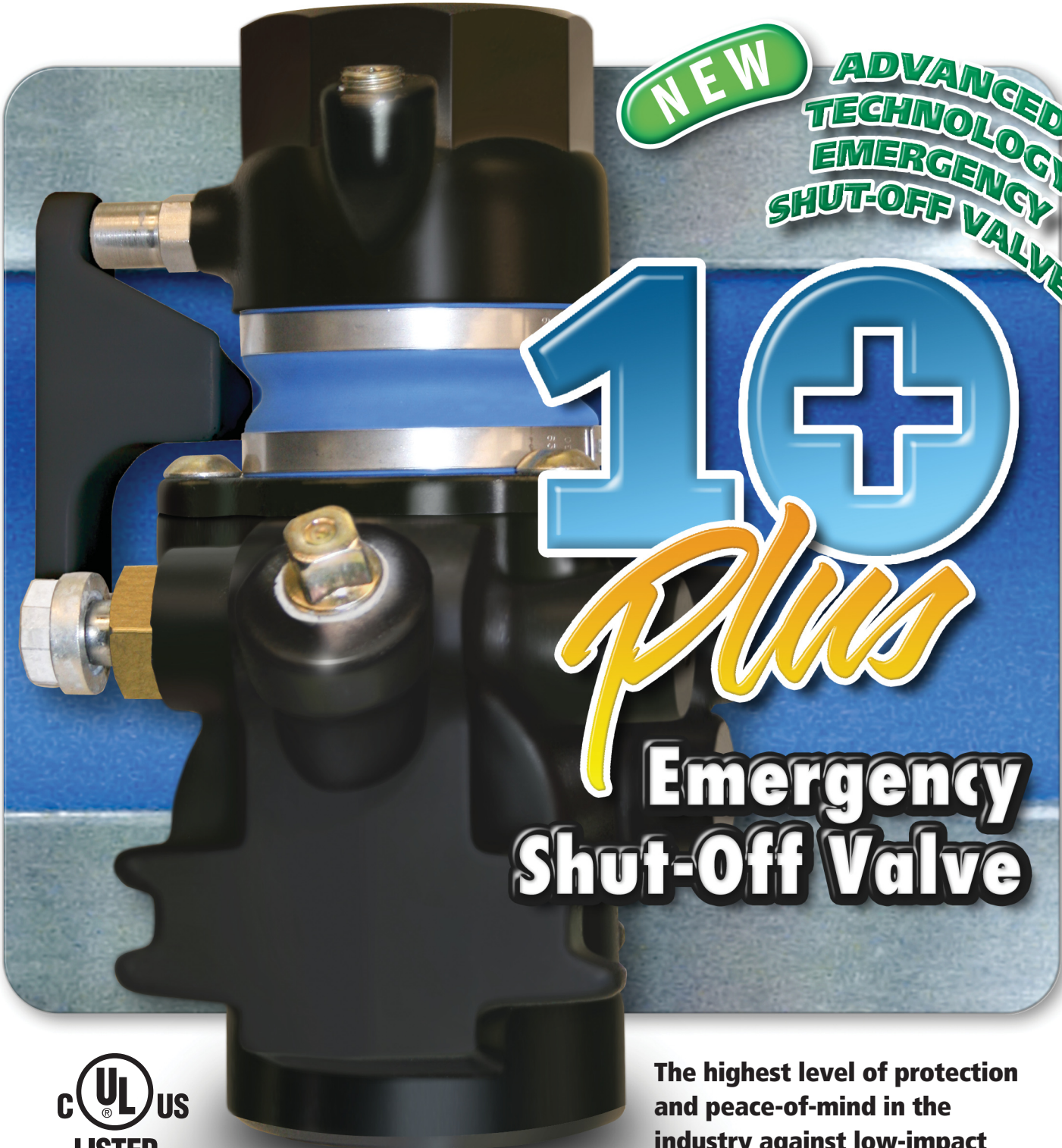


ONE COMPANY. ONE WORLD. ONE SOURCE.™

OPW 

I N T R O D U C I N G



NEW **ADVANCED TECHNOLOGY EMERGENCY SHUT-OFF VALVE**

10+
Plus
Emergency Shut-Off Valve



The highest level of protection and peace-of-mind in the industry against low-impact breaks, dislodged dispensers and dispenser sump fires.

Introducing the New "Protection Standard" in Emergency Shut-Off Valves

Now You Can Protect Your Customers, Investments and the Environment against the Perils of Undetected, Low-Impact Breaks

Why Specify Anything Else?

OPW raised the protection-standard in emergency valves when it introduced the first double poppet valve back in 1989. This industry-changing OPW innovation helped to *significantly reduce the risk of fire, explosion, personal injury, property damage and environmental contamination* at sites around the world. **Major oil companies and jobbers agreed that providing added protection for their customers, investments and the environment were the three most convincing reasons for switching to the innovative new valves.**

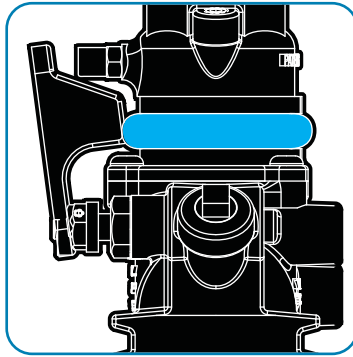
Those same reasons are still prevalent today and serve as the inspiration behind the design of the **New OPW 10 Plus Emergency Shut-Off Valve** - leading-edge innovation for today's safety conscious marketers and the new standard of protection in emergency shut-off valves.

By eliminating the risks of low-impact breaks, the New 10 Plus offers a logical, simple and affordable way of providing an added level of security and peace-of-mind protection of customers, investments, and the environment. The new OPW 10 Plus is unlike any other emergency valve, featuring all the time-tested, reliable features of the 10 series plus:

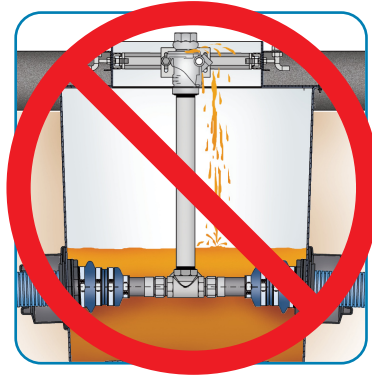
◆ Patent-Pending Smartguard™ Design

- Designed to contain a leak at the shear groove and activate the valve shut off mechanism in the event of an unsuspected low-impact fracture in the valve
- Designed to prevent fuel from leaking into sumps to significantly reduce the risk of environmental contamination and sump fires
- Designed to eliminate hazardous and costly clean-up due to fractured valves leaking at the shear groove

UNPRECEDENTED PROTECTION AGAINST LOW-IMPACT BREAKS



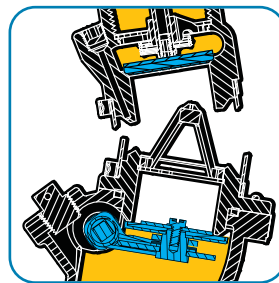
OPW 10 Plus



The New OPW 10 Plus is the Only Emergency Shut-Off Valve in the Industry Designed to Contain a Shear Groove Leak and Close the Flow of Fuel In the Event of an Undetected Low-Impact Break

- Provides peace-of-mind comfort that an unnecessary leak risk at your site has been eliminated
- Eliminates health, environmental contamination and fire hazards that could result from fractured valves leaking into sumps
- Prevents undetected product loss
- Prevents hazardous and costly clean-up

TIME-TESTED, FIELD-PROVEN SHUT-OFF RELIABILITY



OPW 10 Plus



The New OPW 10 Plus is Built Upon the Design Platform of the World's Most Specified Emergency Shut-Off Valve, the OPW 10 Series.

- Unique Linkage Arm is designed to close the poppet in the event of impact, ground shift, earthquake or when activated by the SmartGuard™ as a result of a leak caused by an undetected shear groove fracture
- Double poppet design helps to provide for a safer environment in the event of a shear and fire

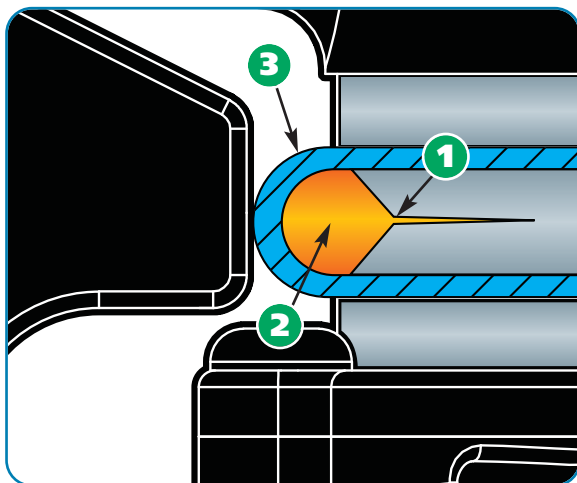
THE INDUSTRY'S BEST DETERRENT AGAINST SUMP FIRES



- The OPW 10 Plus is designed to contain fuel leaking from fractured shear grooves to significantly reduce the risk of sump fires
- In the event of a sump fire, the 10 Plus fusible link will release and automatically close the valve to reduce the fire hazard

Rest Assured, The New OPW 10 Plus Has Got You Covered Like No Other Emergency Shut-Off Valve in the World.

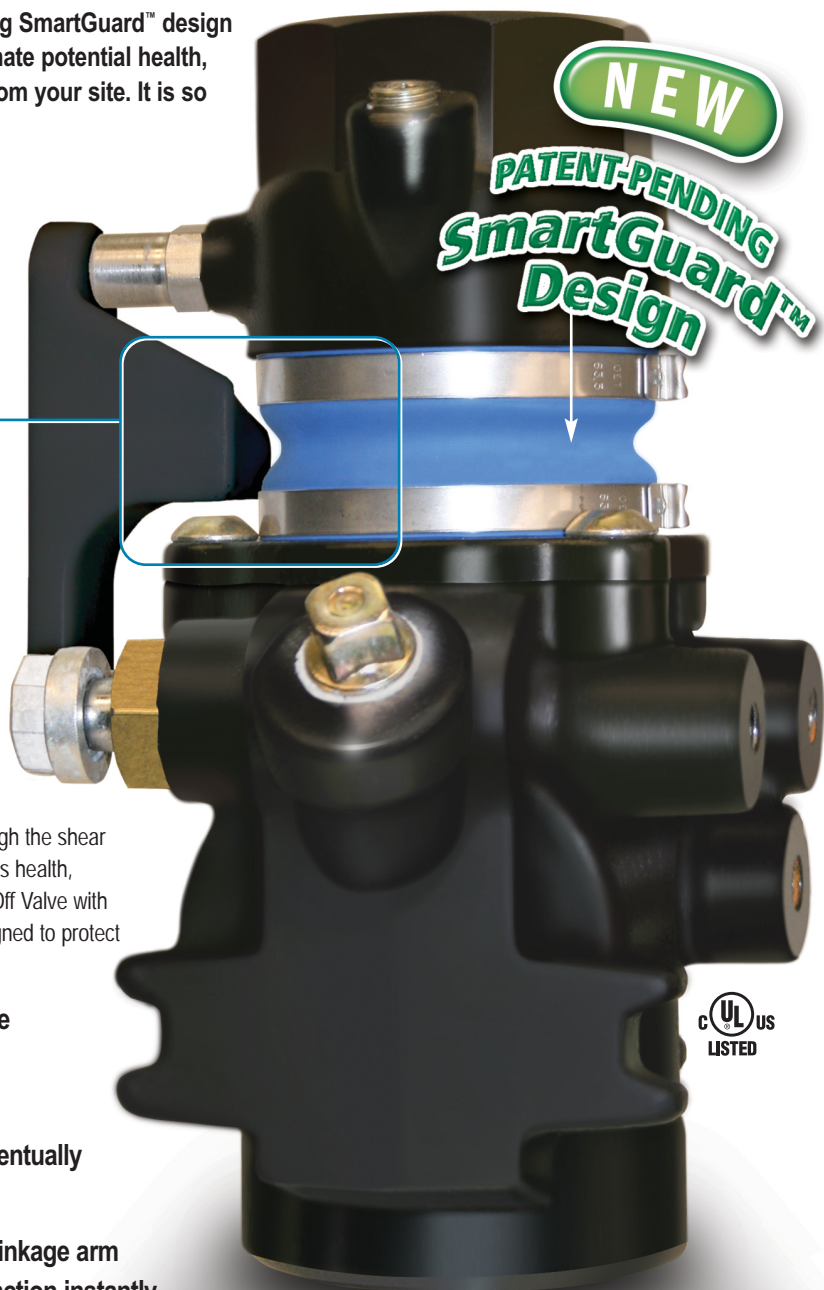
The New OPW 10 Plus Emergency Valve with patent-pending SmartGuard™ design provides a simple, reliable and affordable way to help eliminate potential health, environmental contamination and investment risk factors from your site. It is so logical, why specify anything else?



Tests prove that emergency shut-off valves involved in low-impact accidents can experience fractures in the shear groove area, even when the impact is insufficient enough to cause the valve to close.

Because the valve does not close, these incidents can go completely undetected. As fuel continues to flow through the valve, it will leak through the shear groove fractures, often at alarming rates to create a potentially dangerous health, environment and fire hazard. The new OPW 10 Plus Emergency Shut-Off Valve with patent-pending SmartGuard™ design is the only valve in the world designed to protect you against this unnecessary risk. Here's how it works:

1. A shear groove leak is completely contained by the patent-pending SmartGuard™ assembly
2. As the leak persists undetected, the SmartGuard™ continues to contain the fuel and expands until eventually it pushes against the valve's linkage arm
3. The expanding SmartGuard™ presses against the linkage arm causing it to disengage with the valve body. This action instantly activates the valve poppet to close, stopping the flow of fuel



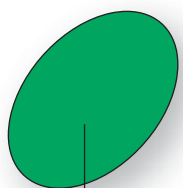
Please visit www.opw-fc.com to view an animated demonstration of the 10 Plus with SmartGuard™

Eliminate unnecessary risk for you and your customers, investments and the environment.

SPECIFY THE NEW 10 PLUS.

RISK FACTOR 1

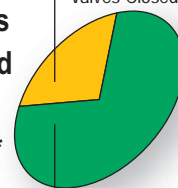
Percentage of valves that fractured as a result of a low-impact incident*



100%

RISK FACTOR 2

Percentage of valves that fractured but did not shut-off after a low-impact incident*

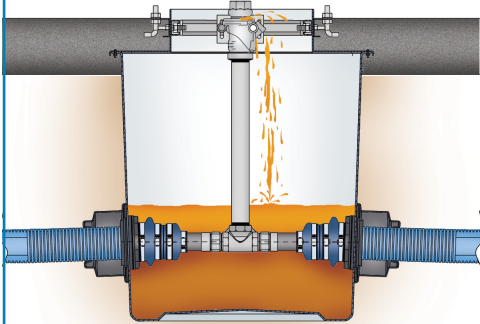


23% Valves Closed

77% Valves DID NOT Close

*Based on laboratory tests of nine (9) leading emergency shut-off valves (Test Range: 282–575 ft/lb)


Undetected low-impact shear-groove leaks can fill sumps with fuel at an alarming rate to create a potentially dangerous situation for customers, the environment and your investment.

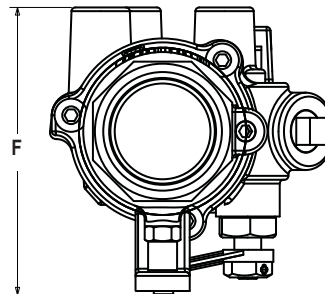
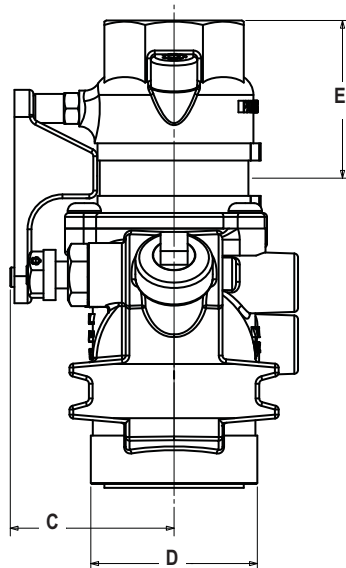
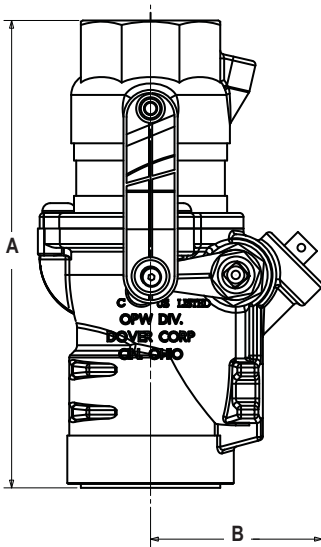


**THIS CAN BE PREVENTED
by using the new OPW 10 Plus
Emergency Shut-Off Valve.**

Best-In-Class Emergency Shut-Off Valve Innovation

The NEW OPW 10 Plus Emergency Shut-Off Valve is the simple, logical and affordable way for you to significantly raise the level of protection of customers, investments and the environment. There's nothing else like it.

- ◆ The **ONLY** emergency shut-off valve in the world designed to protect your customers, investments, and the environment against the potential hazards of undetected shear groove leaks caused by low-impact incidents
- ◆ The patent-pending SmartGuard™ design contains shear groove leaks, preventing fuel from leaking into sumps to help reduce the risk of fire, explosion, personal injury, property damage, environmental contamination, product loss and costly clean-up
- ◆ Superior shear groove design and engineering results in reliable valve shut-off in the event of a pull-over or dislodged dispenser – the 10 Plus utilizes the same time-tested field-proven design of the OPW 10 Series Emergency Shut-off valve – the most specified emergency shut-off valve in the world
- ◆ Fusible link releases to automatically close the valve to reduce fire hazard
- ◆ Underwriters Laboratories Listed 
- ◆ Compatible with alternative fuels (E85)
- ◆ Rigorously tested to meet OPW's rigid quality standards
- ◆ Built and backed by the most trusted name in fueling - OPW



Dimensions

| | in. | cm |
|---|---------------------------------|----|
| A | 7 ⁹ / ₁₆ | 4 |
| B | 2 ²⁵ / ₃₂ | 4 |
| C | 2 ²¹ / ₃₂ | 4 |
| D | 2 ¹¹ / ₁₆ | 4 |
| E | 2 ⁹ / ₁₆ | 4 |
| F | 4 ²¹ / ₃₂ | 4 |

ORDERING SPECIFICATIONS

| Model No. | Body Size | | Body Weight | | Connection Threads | Poppet Configuration | Application | Mounting System |
|-----------|-----------|----|-------------|------|--------------------|----------------------|-------------|-----------------|
| | in. | cm | lb. | kg | | | | |
| 10P-0150 | 1 1/2 | 4 | 6.7 | 3.05 | NPT | Single | Pressure | Combination |
| 10P-0152 | 1 1/2 | 4 | 6.8 | 3.10 | NPT | Double | Pressure | Combination |



North America Toll Free – TELEPHONE: (800) 422-2525 ◆ Fax: (800) 421-3297 ◆ Email: domesticsales@opw-fc.com
 International – TELEPHONE: (513) 870-3315 or (513) 870-3261 ◆ Fax: (513) 870-3157 ◆ Email: intlsales@opw-fc.com
www.opw-fc.com

OPW Fueling Components ◆ 9393 Princeton-Glendale Road ◆ Hamilton, Ohio 45011 ◆ Printed in USA

IMPORTANT: OPW/Flexworks by OPW Inc. products must be used in compliance with applicable federal, state, provincial, and local laws and regulations. Product selection should be based on physical specifications and limitations and compatibility with the environment and material to be handled. OPW/Flexworks by OPW Inc. makes no warranty of fitness for a particular use. All illustrations and specifications in this literature are based on the latest production information available at the time of publication. Prices, materials, and specifications are subject to change at any time, and models may be discontinued at any time, in either case, without notice or obligation.